

OL 700-FCS Field Calibration Standard



GENERAL

The OL 700-FCS Integrating Sphere Calibration Standard is a convenient, compact calibration source used to perform or verify the system response calibration for radiance measurements of an OL 770-DMS spectroradiometric measurement system.

The OL 700-FCS consists of an optics head and a separate power supply. This enables remote location of either unit, which facilitates alignment or positioning of the source with respect to the device to be calibrated where in-situ calibrations are a must.

OPTICS HEAD

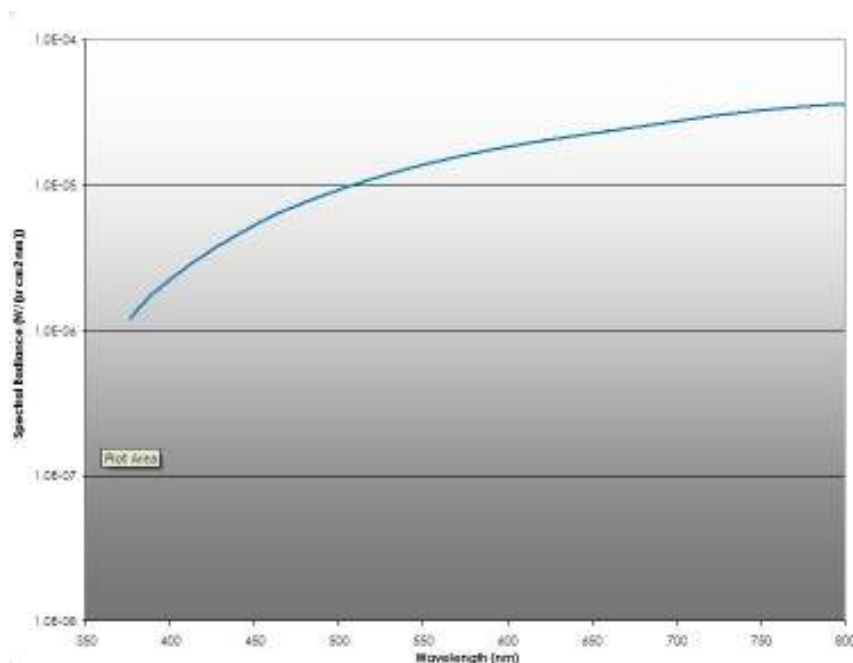
The Optics Head consists of a PTFE coated 2-inch integrating sphere with an integral 10 watt, tungsten halogen lamp source mounted at the entrance of the 2-inch sphere. The source assembly has a 0.394 inch (10 mm) diameter exit port.

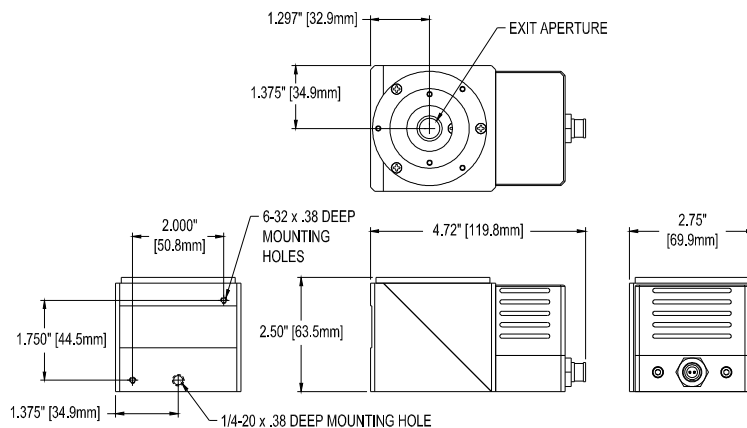
POWER SUPPLY

The power supply is a highly regulated DC constant current design optimized for source stability and accuracy.

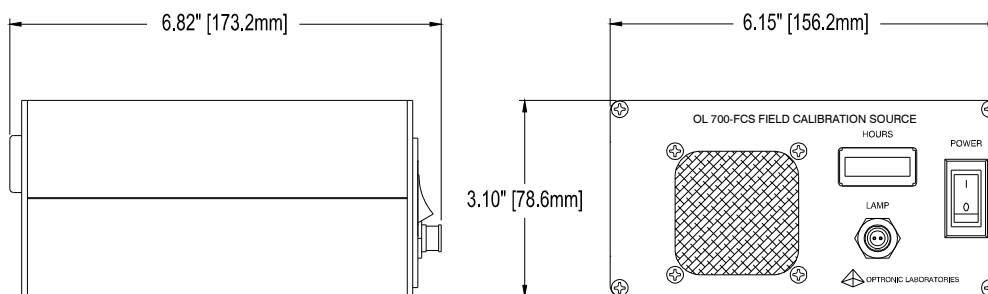
CALIBRATION OPTIONS

- 700-FCS-1 luminance, color temperature, spectral radiance (370 - 800 nm)
- 700-FCS-2 luminance, color temperature, spectral radiance (370 – 1110 nm)





OL 700-FCS Field Calibration Source



OL 700-FCS Power Supply

SPECIFICATIONS

Source

Dimensions 4.68 in x 2.75 in x 2.50 in (11.88 cm x 6.98 cm x 6.35 cm)
 Weight 1.5 lbs (0.68 kg)
 Lamp Type 10-watt tungsten halogen
 Exit aperture 0.394 (10.0 mm) diameter

Power Supply

Dimensions 6.63 in x 6.15 in x 3.10 in (16.54 cm x 15.62 cm x 7.87 cm)
 Weight 2.0 lbs (0.90 kg)
 Power Requirement ~ 15 Watts
 AC Power Input 85 VAC to 265 VAC, 50/60 Hz